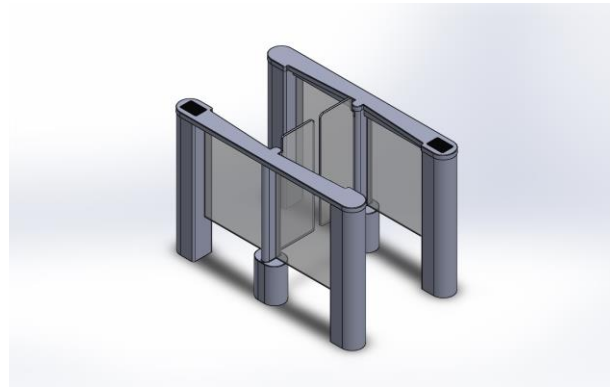


Model 5000-SG

Swinging Glass Optical Turnstile
with Glass Sided Panels



Manufacturer: Delta Turnstiles, LLC, is an American manufacturer of quality optical turnstiles, based in Concord, CA.

Description: The Delta 5000-SG is a bi-directional optical turnstile with swinging glass barrier panels. With its side glass panels, it adds a more minimalistic design. It can be used as a purely optical turnstile or as a barrier-type optical turnstile. When in “barrier mode” the glass panels act as an additional visual deterrent to unauthorized access attempts. The Delta 5000-SG’s breakaway barrier type is acceptable by all safety code regulations.

Method of Operation: An access card or other credential is presented to the customer supplied access control reader mounted inside the casework. If entry is authorized, the Traffic Flow Indicator (TFI) will light as a green arrow pointing in the direction authorized, the barriers will open, and a chime will sound indicating to the user that they may pass. Unauthorized access attempts and tailgaters are singled out by local visual/audible alarms and access control system event condition.

- Unique Features:**
- Fan shaped beam pattern reduces installation/alignment concerns
 - Simplified plug-n-play installation and parts replacement
 - 1/4 “ gap anti-tailgating detection range
 - Direct drive barrier system
 - Capable of simultaneous bi-directional multiple card stacking
 - Reduces false alarms - Differentiates between tailgaters, wheeled laptop bags, and carried items
 - Main and secondary interconnect boards are located at secure end of pedestal to prevent tampering
 - Barriers open automatically in exit direction for fire condition
 - Multiple relay outputs (7) allow for detailed event monitoring by access control system
 - Three (3) year warranty
 - Lead time of 4 to 6 weeks on standard products



Construction Materials

- Pedestal Body:** Grained stainless steel finish with integrated steel frame. Radius casework construction such that no exposed seams appear at leading edges. Optional grained brass, Formica™ laminate, anodized aluminum, or powder coated steel in client's choice of colors.
- Pedestal Top:** Stainless steel or Corian™ type solid surfacing single tier top, in choice of colors.
- Barriers:** Swinging Glass barrier, constructed of 3/8" tempered low glass or 1/2" acrylic for higher barrier options.

Dimensions

- Pedestal:** Each Delta 5000-SG pedestal is 6" W x 38" H x 56" L. See page 4 for dimensional drawing.
- Lane:** The standard lane width (distance between pedestals) is 22"-28" for pedestrian lanes, and 36" for handicap accessible (ADA) lanes.

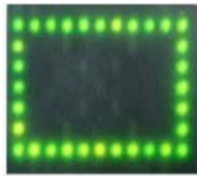
Technology

- Optical Detection:** Industrial duty infrared photoelectric beams (14) linked to Primary Interconnect Board (PIB) 32-bit microprocessor.
- Drive System:** Direct drive barrier/motor system – no belts to replace.
- Sound Card:** The Delta Sound Card emits 5 different tones to indicate lane status – i.e.; valid transaction, invalid card, unauthorized access attempt, or tailgate attempt. Digitally controlled, the Sound Card allows for volume adjustment on-board pedestal or through the optional color touch screen (RLC). Customer can also customize their tones via wave files.
- Reader Integration:** Card Reader mountings for prox readers are located at both ends, immediately under the TFI. Swipe readers, biometric readers, or other access control systems can be integrated at both ends through coordination between access control dealer and Delta.
- Power:** A 240w 24VDC 10A power supply is provided by manufacturer for each set of up to 3 lanes. 120V 15A circuit should be provided on site.

Delta 5000-SG Optical Turnstile

Page 3 of 4

Status Lights: Traffic Flow Indicators (TFI's) are fitted into the pedestal tops, one for each direction, to visually assist the user when passing through the lane.



No-Touch Barriers: The Delta 5000-SG integrates the IR beams and barrier arms in such a way as to significantly reduce the occurrence of pedestrian contact with the barrier arms.

Bi-directional Card Stacking: The system's memory is capable of receiving up to 100 authorized cards, and then allowing passage for those cardholders. Barriers remain in the open position for successive authorized transactions. This feature is actively available in both directions simultaneously.

Safety Features: The Delta 5000-SG is equipped with "fail safe" operation mode which powers the barriers to the open position in case of emergency. In the event of power outage, the barriers push open with very little force. In the unlikely case of closed barriers with power on during emergency, the product is designed with "soft barriers" that can be easily forced open.

Other Features

ADA (Handicap) Accessibility: The lanes can be set to 36" width for ADA (Americans with Disabilities Act) compatibility, with no loss of function or security.

Installation: Simple "plug & play" installation by qualified access control integration professional. Pedestals are easy to align due to fan-shaped IR beam pattern. Optional mounting platforms reduce need for cutting floor.

Optional Crawl Over Detection: Detects an intruder attempting to walk or crawl along the length of the pedestal top to gain entry into the building.

Quality Control Program: Delta maintains a strict quality control program covering all steps of the project from order accuracy through production to delivery.

Proudly built in the USA by American craftsmen

Manufacturer's Warranty: Three (3) year return-to-factory warranty on all parts/components. Installing dealer (access control integrator) is responsible for minimum one (1) year labor warranty.

Accessories

Remote Lane Controller (RLC): A remote lane control console is available for each set of Delta 5000-SG lanes. The RLC provides lane status information and allows for remote controlling of lane operation.

Mounting Plates (Bases): The Delta Mounting Base is an optional system of interlocking keyed plates constructed of welded structural steel, feather edged walkways, and precision point leveling feature to allow for floor variations such as in landmark historic lobbies. Maximum rise is 2" in center.

Typical Lane Layout
2 Lane/3 Pedestal

